

Brilliant Imaging.

Image Spot Mini is an excellent gobo projector for use inside museums, retail stores, themed environments and hospitality venues. Take advantage of the fixture's ultra-compact form factor and highly efficient optics to project gobos up to 26 ft. (8m) away!

Featuring a single, brilliant LED with up to 1050 lumens of light, the Image Spot Mini LED gobo projector packs a punch for its size. Image Spot Mini is IP65-rated, enabling it to be used indoors and outdoors, and it's available in 3000K warm white, 5500K cool white, and track-mounted models.



KEY FEATURES

- A single, high-output LED combined with the available 11°, 17° and 25° Lens Optics provide superior field uniformity
- IP65 rating allows indoor or outdoor use
- Accepts Rosco Gobos and Permacolor Dichroic Glass Color Filters sized specifically for the Image Spot Mini
- On board dimming control
- Available control options include Non-Dim, 0-10V, Push to Dim, DALI, or DMX512, providing flicker-free dimming throughout the range: 100% ~ 0%
- Passive cooling for completely silent operation
- Standard Color options: White, Black

SPECIFICATIONS

Luminaire

Input Voltage:	14VDC, 1.0A	Weight:	2.2 lbs (1.0 kg)
Power Input:	14 W	Operating Temp.:	-13° F to 113° F (-25° C to 45° C)
CCT Options:	5500K or 3000K	IP Rating:	IP65
Luminous Flux:	5500K Model: 400 lumens 3000K Model: 300 lumens	Humidity:	0 - 95% non-condensing
CRI:	5500K Model: 75+ 3000K Model: 98+	Housing:	Anodized Aluminum Extrusion
Lumen Maintenance:	90,000 hours at 50°C (LM80)	Approvals:	ETL / UL Standards #2108:2015 cETL / CSA C22.2#250.0:2018 Ed.4 CE
Power/Data Connection:	6 ft. (2 m) Insulated Cable/Gland (IP65), unterminated (connector not included)		
Dimensions:	5.17 in x 3.5 in x 4.27 in (131.2 mm x 89 mm x 108.55 mm) including yoke		



Image Spot Mini, 0-10V/PWM/Push Dim 36W

Power Input:	14.7W, 100~277 VAC	Power Factor:	>0.95/115Vac, >0.9/230Vac, 0.85/277Vac (full load)
Output:	1050mA	Efficiency:	>88%
Dimming:	0-10V, Push Dim	IP Rating:	IP44
Dimming Range:	0~100% (LED start at 0.1% possible)	Class:	2

Compliant with Safety Extra Low Voltage (SELV) standard.

Image Spot Mini DMX 512/RDM Driver 36W

Power Input:	36W, 100~277 VAC	Power Factor:	>0.95/115Vac, >0.9/230Vac, >0.85/277Vac
Output:	10~54Vdc, 200~1200mA	Efficiency:	>88%
Dimming Interface:	DMX512/RDM, One Channel	IP Rating:	IP44
Dimming Range:	0~100% (LED start at 0.1% possible)	Class:	2

Compliant with Safety Extra Low Voltage (SELV) standard.

Image Spot Mini DALI Driver 36W

Power Input:	36W, 100~277 VAC	Power Factor:	>0.95/115Vac, >0.9/230Vac, >0.85/277Vac
Output: Dimming	10~54Vdc, 200~1200mA	Efficiency:	>88%
Interface: Dimming	DALI (bus standard: IEC62386-101,102,207)	IP Rating:	IP44
Range:	0~100% (LED start at 0.1% possible)	Class:	2

Compliant with Safety Extra Low Voltage (SELV) standard.

SPECIFICATION ORDER CODES

UNIT	CCT	Finish	Dimmable Driver	Lens*	Optional Accessories
Image Spot Mini	3 - 3000K 5 - 5500K U - UV	B - Black W - White C - Custom RAL	0 - 0/10V 1 - DMX/RDM 2 - DALI	1 - 11 degree 2 - 17 degree 3 - 25 degree	R - Iris** F - Framing Shutters† C - Cable Cover** E - Driver Enclosure*** N - N/A

Example:

Image Spot Mini — 3 — B — 0 — 1 — N

Ie. Image Spot Mini - 3B01R =
Image Spot Mini, 3000K CCT, Black, 0-10V, 11 degree Lens, with no additional accessories.

*Lens Optics available in Black or Silver. Silver Lens Optics ship with White fixture finish.

**Iris Accessory cannot be used with a gobo

**Iris and Cable Cover available in Black and White finish

***Driver Enclosure available in Black only

† With Framing Shutters installed the Image Spot Mini does not retain its IP65 rating. Framing Shutters are suitable for indoor installations and dry locations only. A custom gobo is required for use with Framing Shutters.

Name: _____ Date: _____

Company Name: _____

Project: _____

If there are questions, contact Rosco Customer Service: CTOrders@rosco.com

Image Spot® Mini Projector	
Item Code	Description
296200030651	Image Spot Mini 3000K - IP65 - w/o Lens - Black
296200030652	Image Spot Mini 3000K - IP65 - w/o Lens - White
296200055651	Image Spot Mini 5500K - IP65 - w/o Lens - Black
296200055652	Image Spot Mini 5500K - IP65 - w/o Lens - White
2962010T3003	Image Spot Mini 3000K - Track DMX - Black - No Lens
2962010T3004	Image Spot Mini 3000K - Track DMX - White - No Lens
2962010T5501	Image Spot Mini 5500K - Track 0-10V/Triac - Black - No Lens
2962010T5502	Image Spot Mini 5500K - Track 0-10V/Triac - White - No Lens
2962010T5503	Image Spot Mini 5500K - Track DMX - Black - No Lens
2962010T5504	Image Spot Mini 5500K - Track DMX - White - No Lens

Image Spot® Mini Projector Lenses	
Item Code	Description
296220000111	Image Spot Mini Narrow Angle Lens Optic/11° - Black
296220000171	Image Spot Mini Medium Angle Lens Optic/17° - Black
296220000251	Image Spot Mini Wide Angle Lens Optic/25° - Black
296220000112	Image Spot Mini Narrow Angle Lens Optic/11° - Silver
296220000172	Image Spot Mini Medium Angle Lens Optic/17° - Silver
296220000252	Image Spot Mini Wide Angle Lens Optic/25° - Silver

Image Spot® Mini Drivers	
Item Code	Description
296210036010	36W /1050mA CC 0-10V Dimmable Driver
296210000DMX	36W / 1050MA cc DMX-RDM Driver,One Channel
29621000DALI	36W /1050mA CC DALI Dimmable Driver
296210000006	Driver Enclosure Black

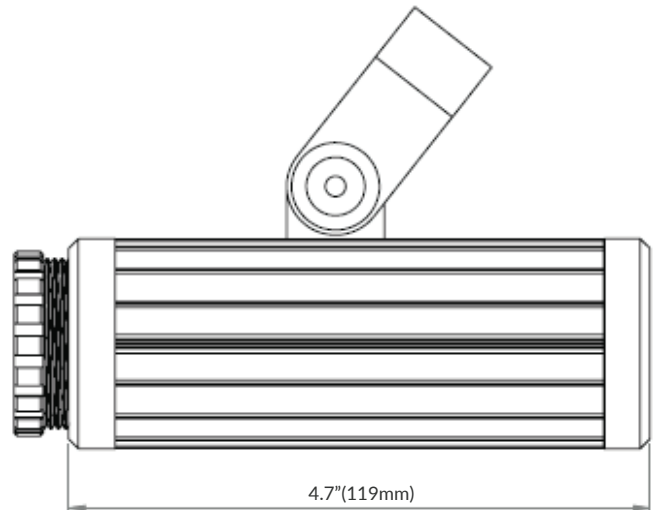
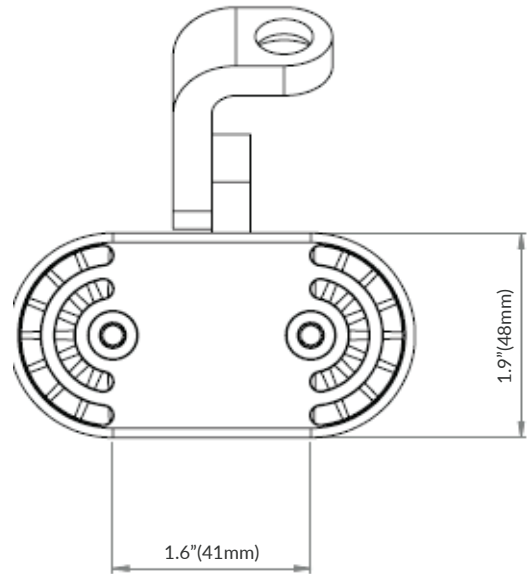
Image Spot® Mini Accessories	
Item Code	Description
296220000020	Image Spot Mini Iris* - Black
296220000021	Image Spot Mini Iris* - White
296220000010	Image Spot Mini Framing Shutter Accessory - Black
296220000011	Image Spot Mini Framing Shutter Accessory - White
296220000022	Image Spot Mini Cable Cover - Black
296220000023	Image Spot Mini Cable Cover - White

*Iris not compatible with gobo

Image Spot® Mini Gobos (includes bezel to fit inside gobo cassette)	
Item Code	Description
<i>Standard Gobos</i>	
XXXXX-MINI	Image Spot Mini Standard Gobo XXXXX = The five digit standard gobo number
<i>Custom Gobos</i>	
25072101MINI	Image Spot Mini Custom Steel Gobo
260CUSBWMINI	Image Spot Mini Custom B&W Glass Gobo
260CUS1CMINI	Image Spot Mini Custom One-Color Glass Gobo
260CUS2CMINI	Image Spot Mini Custom Two-Color Glass Gobo
260CUS3CMINI	Image Spot Mini Custom Three-Color Glass Gobo
260CUSMCMINI	Image Spot Mini Custom Multi-Color Glass Gobo

Image Spot® Mini Permacolor™ Dichroic Filters (includes bezel to fit inside gobo cassette)	
Item Code	Description
1203-XXXX-MINI	Image Spot Mini Permacolor Dichroic Glass Filter XXXX = The four-digit color number

Standard Mount Diagrams



Track Mount Diagrams

