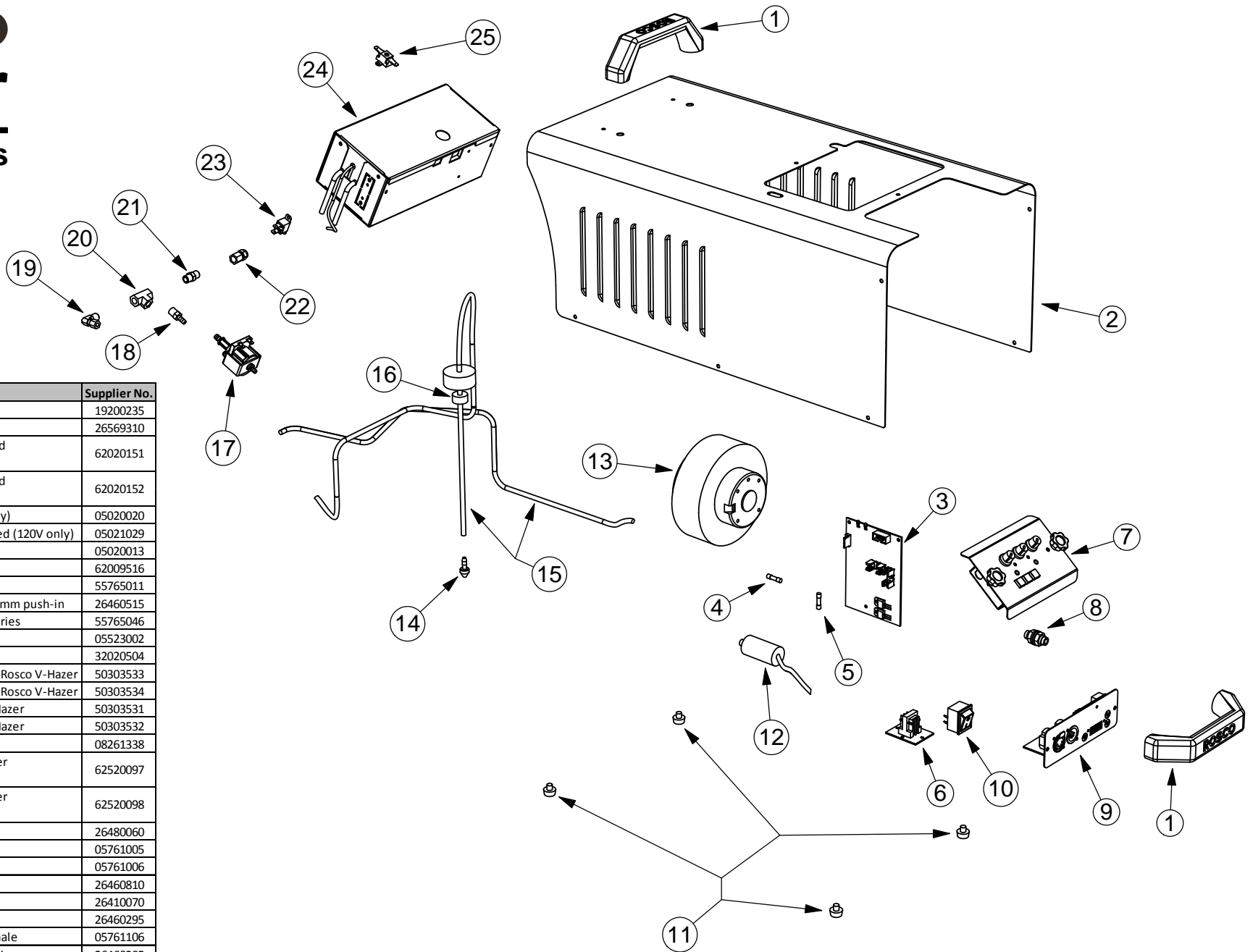


ROSCO V-Hazer

Spare Parts



| No. | Item No. | Description | Supplier No. |
|-----|--------------|--|--------------|
| 1 | 23782220A003 | Handle, Rosco Vapour | 19200235 |
| 2 | 23784440J001 | Cover, Rosco Hazer | 26569310 |
| 3 | 23784440E240 | PCB, Rosco V-Hazer, 230V, tested (Includes No's 4/5) | 62020151 |
| 3 | 23784440E110 | PCB, Rosco V-Hazer, 120V, tested (Includes No's 4/5) | 62020152 |
| 4 | 23782220E003 | Fuse 6.3 AT 5 x 20 mm (230V only) | 05020020 |
| 4 | 23782220E002 | Fuse 10A 20mm 125v,UL approved (120V only) | 05021029 |
| 5 | 23782220E011 | Fuse 3.15 AT, I*t=226.5 | 05020013 |
| 6 | 23782220E012 | PCBA Filter (230v only) | 62009516 |
| 7 | 23782220E006 | Remote, Rosco Vapour Series | 55765011 |
| 8 | 224199020102 | B/head adaptor, plastic, 6mm-6mm push-in | 26460515 |
| 9 | 23782220E007 | DMX interface, Rosco Vapour Series | 55765046 |
| 10 | 23782220E001 | Mains switch 2 pole Rev A | 05523002 |
| 11 | 23782220A002 | Rubber foot | 32020504 |
| 12 | 23784440E005 | Capacitor 1uF, c/w crimps, 230V Rosco V-Hazer | 50303533 |
| 12 | 23784440E004 | Capacitor 3uF, c/w crimps, 120V Rosco V-Hazer | 50303534 |
| 13 | 23784440E003 | Fan c/w crimps, 230V, Rosco V-Hazer | 50303531 |
| 13 | 23784440E002 | Fan c/w crimps, 120V, Rosco V-Hazer | 50303532 |
| 14 | 23782220F008 | Clunk weight | 08261338 |
| 15 | 23784440F002 | Fluid line assy, 5L, Rosco V-Hazer (Includes No's 14/16) | 62520097 |
| 15 | 23784440F001 | Fluid line assy, 4L, Rosco V-Hazer (Includes No's 14/16) | 62520098 |
| 16 | 23782220F007 | Filter, inline 1/8-1/8 barb | 26480060 |
| 17 | 23784440F240 | Pump nme 2 240v 50hz. | 05761005 |
| 17 | 23784440F120 | Pump nme 2 120v 60hz | 05761006 |
| 18 | 23784440F003 | 1/8 BSPT x 3/16 hosetail | 26460810 |
| 19 | 23711700HW01 | Elbow male 4mm-1/8 bsp | 26410070 |
| 20 | 23784440F003 | Union Tee, 1/8PT female | 26460295 |
| 21 | 23782220F010 | Valve non return, 1/8-1/8BSP, male | 05761106 |
| 22 | 23782220F015 | Straight 1/8 bsp fem - 6mm fast-in | 26460205 |
| 23 | 23784440E006 | Thermal fuse DM182H | 05050884 |
| 24 | 23784440H240 | Heat Ex Assy + fit, 230V Rosco V-Hazer (Includes No's 19/23/25) | 56150198 |
| 24 | 23784440H110 | Heat Ex Assy + fit, 120V Rosco V-Hazer (Includes No's 19/23/25) | 56150199 |
| 25 | 23782220E004 | Thermostat 350DEG C manual reset | 05041029 |