

# OT DIM

## 0-10V Dimming Module



A control interface that provides LED dimming by Pulse Width Modulation (PWM). It may be controlled by 0-10V DC controllers or 0-10V converters.

The input voltage ranges from 10-24V DC for use with most constant voltage LED power supplies. It has two dependent channel outputs, the sum of the LED loads from which must not exceed the maximum output of the OT DIM (47W at 10V and 97W at 24V).



### SPECIFICATIONS

Input Voltage:	10-24VDC
Input Current:	5.3 amps max.
Output Frequency:	135 Hz
Output Current:	5 amps max.
Dimming Range:	0-100%
Control Voltage:	0-10 VDC, 0.6 mA max.
Temperature Range:	-4°F through 122° F -20°C through +50°C
Max. Case Temperature:	158°F 70°C
Color Mixing:	Yes

Avoid mounting on wood.

At 10V the light output is maximum (100%) while at 0V it is at a minimum (0%).

USE ONLY with constant voltage power supplies.

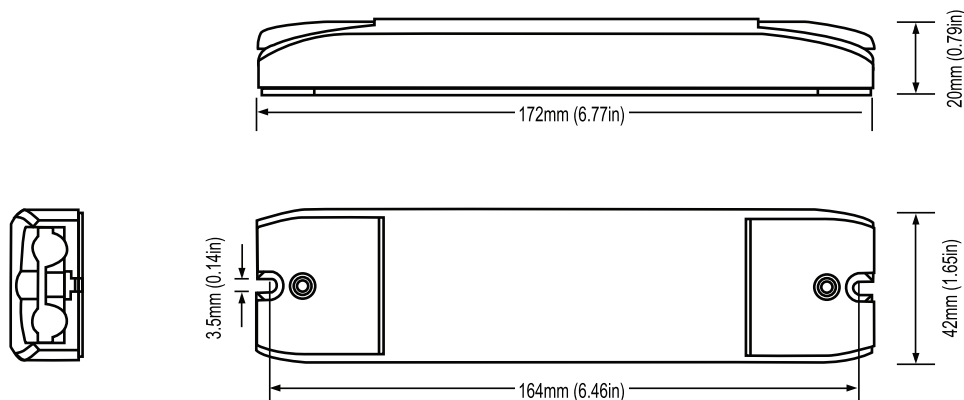
The OT DIM control module may be controlled by 0-10V DC controllers or 100 K Ohm linear potentiometers.

Item Code	Description
290642051516	OT DIM 0-10V Dimming Module

#### DIMENSIONS:

6.77" L X 1.65" W X 0.79" H

171.96mm L X 41.91mm W X 20.07mm H

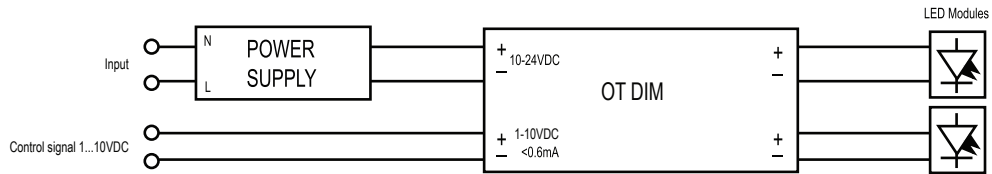


# OT DIM

## 0-10V Dimming Module



### WIRING DIAGRAM



### WIRING REQUIREMENTS:

Input, load and control wires: 14AWG solid or stranded Cu only

### LEAD LENGTHS:

Non-leaded

### Wiring limitations:

- The wiring diagram is based on conventional wall dimmer wiring color code. Always verify that the connections are the same for the specific dimmer used.
- Verify with the dimmer manufacturer the total number of power supplies and OT-DIM your 0-10V dimmer can handle.
- If power switching is not necessary, only the gray and purple wires are used for control.
- Certain varieties of 0-10V dimmers do not provide power switching capabilities or require an additional relay. Verify line voltage exposure with the dimmer manufacturer.

Nominal Input Voltage (VDC)	Nominal <sup>1</sup> Input Current (A)	Control Voltage (VDC)	Max. <sup>2,3</sup> Output Power (W)	Max. Output Current (A)
10.5	5.3	0-10VDC	0-52.5	5
24	5.3	0-10VDC	0-120	5

<sup>1</sup> For Class 2 applications maximum input current should be limited to 5A.

<sup>2</sup> For Class 2 applications maximum output power would be 47W @ 10V and 97W @ 24V

<sup>3</sup> Allow for power losses in the OT DIM module when selecting power supplies.

Name: \_\_\_\_\_ Date: \_\_\_\_\_

Company Name: \_\_\_\_\_

Project: \_\_\_\_\_