

Brilliant Imaging.

Image Spot Mini is an excellent gobo projector for use inside museums, retail stores, themed environments and hospitality venues. Take advantage of the fixture's ultra-compact form factor and highly efficient optics to project gobos up to 26 ft. (8m) away!

Featuring a single, brilliant LED, the Image Spot Mini LED gobo projector delivers up to 1,050 lumens of light. Image Spot Mini is IP65-rated, enabling it to be used indoors and outdoors, and it's available in 3000K warm white, 5500K cool white, and track-mounted models.



KEY FEATURES

- A single, high-output LED combined with the available 11°, 17° and 25° Lens Optics provide superior field uniformity
- IP65 rating allows indoor or outdoor use
- Accepts Rosco Gobos and Permacolor Dichroic Glass Color Filters sized specifically for the Image Spot Mini
- On board dimming control
- Available control options include Non-Dim, 0-10V, Triac, or DMX512, providing flicker-free dimming throughout the range: 100% ~ 0%
- Passive cooling for completely silent operation
- Standard Color options: White, Black

SPECIFICATIONS

Luminaire

| | | | |
|----------------------------|--|------------------|---|
| Input Voltage: | 14VDC, 1.0A | Weight: | 2.2 lbs (1.0 kg) |
| Power Input: | 14 W | Operating Temp.: | -13° F to 113° F (-25° C to 45° C) |
| Color Temperature Options: | 5500K or 3000K | IP Rating: | IP65 |
| Luminous Flux: | 5500K Model: 1050 lumens 3000K Model: 650 lumens | Humidity: | 0 - 95% non-condensing |
| CRI: | 5500K Model: 75+ 3000K Model: 98+ | Housing: | Anodized Aluminum Extrusion |
| Lumen Maintenance: | 90,000 hours at 50°C (LM80) | Approvals: | ETL / UL Standards #2108:2015 cETL / CSA C22.2#250.0:2018 Ed.4 CE |
| Power/Data Connection: | 6 ft. (2 m) Insulated Cable/Gland (IP65), unterminated (connector not included) | | |
| Dimensions: | 5.17 in x 3.5 in x 4.27 in (131.2 mm x 89 mm x 108.55 mm) including yoke | | |



Image Spot Mini, 0-10V/Triac Driver 15W

| | | | |
|----------------|---|---------------|--|
| Power Input: | 14.7W, 120~277 VAC | Power Factor: | >0.90 |
| Output: | 8~14Vdc, 1050mA | Efficiency: | >87% |
| Dimming: | Forward-Phase, Reverse-Phase & 0 - 10V | IP Rating: | IP64 |
| Dimming Range: | 1~100% | Class: | 2 |
| | | | Compliant with Safety Extra Low Voltage (SELV) standard. |

Image Spot Mini DMX Driver 36W

| | | | |
|--------------------|-------------------------------------|---------------|--|
| Power Input: | 36W, 100~277 VAC | Power Factor: | >0.99 |
| Output: | 10~54Vdc, 200~1200mA | Efficiency: | >88% |
| Dimming Interface: | DMX512/RDM, One Channel | IP Rating: | IP44 |
| Dimming Range: | 0~100% (LED start at 0.1% possible) | Class: | 2 |
| | | | Compliant with Safety Extra Low Voltage (SELV) standard. |

| Image Spot® Mini Projector | |
|----------------------------|---|
| Item Code | Description |
| 296200030651 | Image Spot Mini 3000K - IP65 - w/o Lens - Black |
| 296200030652 | Image Spot Mini 3000K - IP65 - w/o Lens - White |
| 296200055651 | Image Spot Mini 5500K - IP65 - w/o Lens - Black |
| 296200055652 | Image Spot Mini 5500K - IP65 - w/o Lens - White |
| 2962010T3001 | Image Spot Mini 3000K - Track 0-10V/Triac - Black - No Lens |
| 2962010T3002 | Image Spot Mini 3000K - Track 0-10V/Triac - White - No Lens |
| 2962010T3003 | Image Spot Mini 3000K - Track DMX - Black - No Lens |
| 2962010T3004 | Image Spot Mini 3000K - Track DMX - White - No Lens |
| 2962010T5501 | Image Spot Mini 5500K - Track 0-10V/Triac - Black - No Lens |
| 2962010T5502 | Image Spot Mini 5500K - Track 0-10V/Triac - White - No Lens |
| 2962010T5503 | Image Spot Mini 5500K - Track DMX - Black - No Lens |
| 2962010T5504 | Image Spot Mini 5500K - Track DMX - White - No Lens |

| Image Spot® Mini Projector Lenses | |
|-----------------------------------|--|
| Item Code | Description |
| 296220000111 | Image Spot Mini Narrow Angle Lens Optic/11° - Black |
| 296220000171 | Image Spot Mini Medium Angle Lens Optic/17° - Black |
| 296220000251 | Image Spot Mini Wide Angle Lens Optic/25° - Black |
| 296220000112 | Image Spot Mini Narrow Angle Lens Optic/11° - Silver |
| 296220000172 | Image Spot Mini Medium Angle Lens Optic/17° - Silver |
| 296220000252 | Image Spot Mini Wide Angle Lens Optic/25° - Silver |

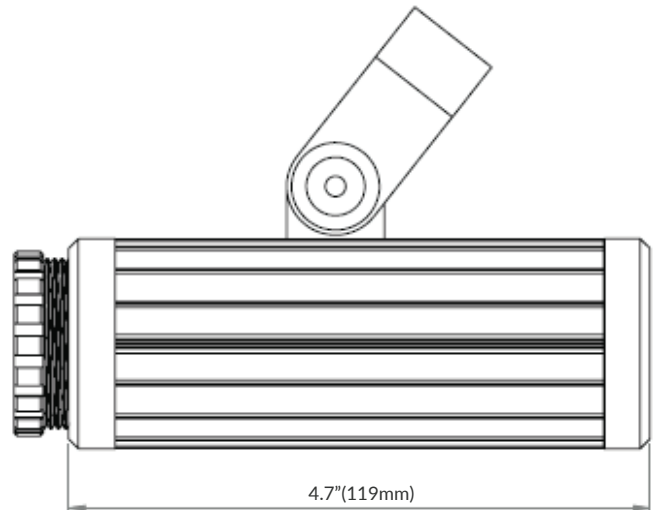
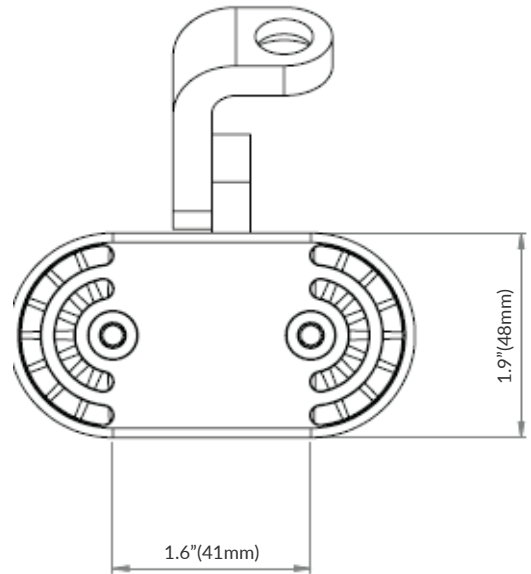
| Image Spot® Mini Drivers | |
|--------------------------|---|
| Item Code | Description |
| 296210000010 | Image Spot Mini 0-10V/Triac Driver 15W |
| 296210000DMX | Image Spot Mini DMX Driver 36W |
| 296210000006 | Image Spot Mini Driver Enclosure IP65 Black |

| Image Spot® Mini Accessories | |
|------------------------------|---|
| Item Code | Description |
| 296220000020 | Image Spot Mini Iris – Black |
| 296220000021 | Image Spot Mini Iris – White |
| 296220000010 | Image Spot Mini Framing Shutter Accessory – Black |
| 296220000011 | Image Spot Mini Framing Shutter Accessory – White |
| 296220000022 | Image Spot Mini Cable Cover – Black |
| 296220000023 | Image Spot Mini Cable Cover – White |

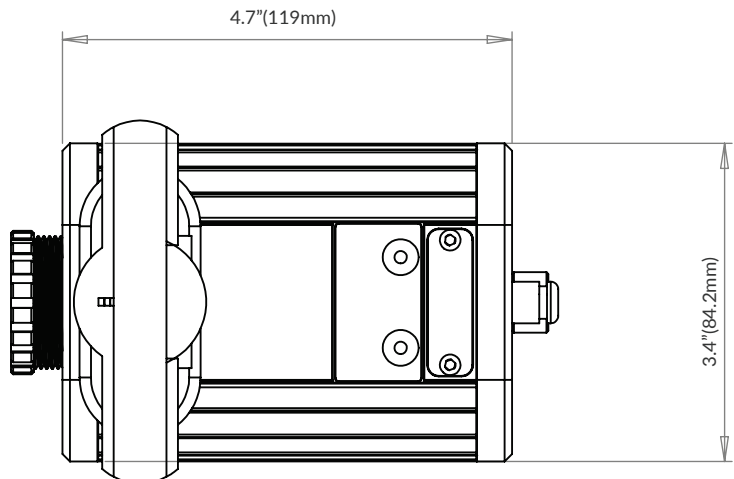
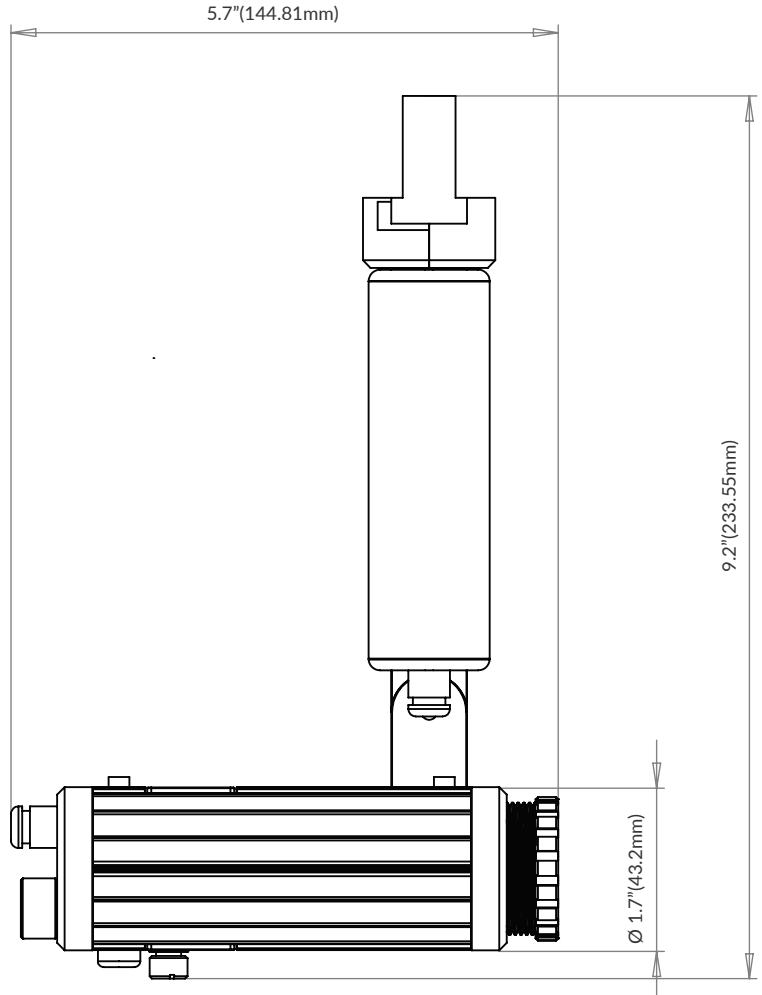
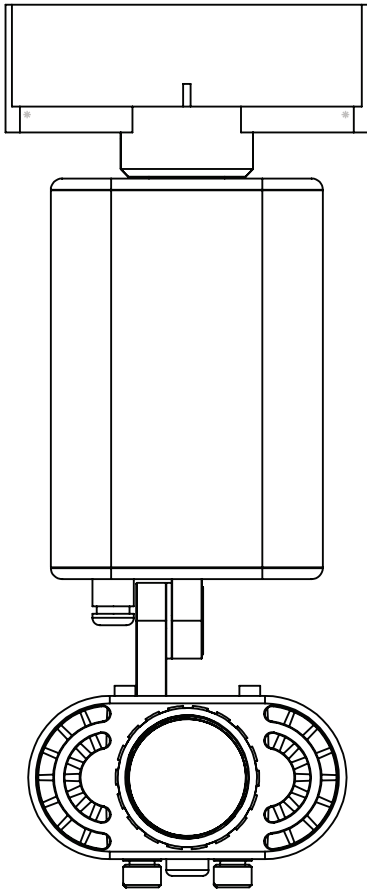
| Image Spot® Mini Gobos (includes bezel to fit inside gobo cassette) | |
|--|--|
| Item Code | Description |
| <i>Standard Gobos</i> | |
| XXXXX-MINI | Image Spot Mini Standard Gobo XXXXX = The five digit standard gobo number |
| <i>Custom Gobos</i> | |
| 25072101MINI | Image Spot Mini Custom Steel Gobo |
| 260CUSBWMINI | Image Spot Mini Custom B&W Glass Gobo |
| 260CUS1CMINI | Image Spot Mini Custom One-Color Glass Gobo |
| 260CUS2CMINI | Image Spot Mini Custom Two-Color Glass Gobo |
| 260CUS3CMINI | Image Spot Mini Custom Three-Color Glass Gobo |
| 260CUSMCMINI | Image Spot Mini Custom Multi-Color Glass Gobo |

| Image Spot® Mini Permacolor™ Dichroic Filters (includes bezel to fit inside gobo cassette) | |
|---|--|
| Item Code | Description |
| 1203-XXXX-MINI | Image Spot Mini Permacolor Dichroic Glass Filter XXXX = The four-digit color number |

Standard Mount Diagrams



Track Mount Diagrams



PHOTOMETRIC DATA FOR 3000K 11°

| Mounting Height | | Cone of Light Tabulation | | LUX | Footcandles at Nadir | Diameter | |
|-----------------|--------|--------------------------|--|------|----------------------|----------|--------|
| Feet | Meters | | | | | Feet | Meters |
| 4.00 | 1.2 | | | 5608 | 521 | 0.654 | .2 |
| 6.00 | 1.8 | | | 2497 | 232 | 0.981 | .3 |
| 8.00 | 2.4 | | | 1399 | 130 | 1.31 | .4 |
| 10.0 | 3.0 | | | 897 | 83.4 | 1.64 | .5 |
| 12.0 | 3.6 | | | 623 | 57.9 | 1.96 | .6 |
| 14.0 | 4.2 | | | 457 | 42.5 | 2.29 | .7 |
| 16.0 | 4.8 | | | 350 | 32.6 | 2.62 | .8 |

PHOTOMETRIC DATA FOR 5500K 11°

| Mounting Height | | Cone of Light Tabulation | | LUX | Footcandles at Nadir | Diameter | |
|-----------------|--------|--------------------------|--|------|----------------------|----------|--------|
| Feet | Meters | | | | | Feet | Meters |
| 4.00 | 1.2 | | | 9805 | 911 | 0.670 | .2 |
| 6.00 | 1.8 | | | 4359 | 405 | 1.01 | .3 |
| 8.00 | 2.4 | | | 2454 | 228 | 1.34 | .4 |
| 10.0 | 3.0 | | | 1571 | 146 | 1.68 | .5 |
| 12.0 | 3.6 | | | 1087 | 101 | 2.01 | .6 |
| 14.0 | 4.2 | | | 799 | 74.3 | 2.35 | .7 |
| 16.0 | 4.8 | | | 612 | 56.9 | 2.68 | .8 |

PHOTOMETRIC DATA FOR 3000K 17°

| Mounting Height | | Cone of Light Tabulation | | LUX | Footcandles at Nadir | Diameter | |
|-----------------|--------|--------------------------|--|------|----------------------|----------|--------|
| Feet | Meters | | | | | Feet | Meters |
| 4.00 | 1.2 | | | 2884 | 268 | 0.834 | .2 |
| 6.00 | 1.8 | | | 1280 | 119 | 1.25 | .3 |
| 8.00 | 2.4 | | | 720 | 66.9 | 1.67 | .5 |
| 10.0 | 3.0 | | | 460 | 42.8 | 2.08 | .6 |
| 12.0 | 3.6 | | | 319 | 29.7 | 2.50 | .7 |
| 14.0 | 4.2 | | | 234 | 21.8 | 2.92 | .9 |
| 16.0 | 4.8 | | | 179 | 16.7 | 3.34 | 1.0 |

PHOTOMETRIC DATA FOR 5500K 17°

| Mounting Height | | Cone of Light Tabulation | | LUX | Footcandles at Nadir | Diameter | |
|-----------------|--------|--------------------------|--|------|----------------------|----------|--------|
| Feet | Meters | | | | | Feet | Meters |
| 4.00 | 1.2 | | | 5371 | 499 | 0.829 | .2 |
| 6.00 | 1.8 | | | 2389 | 222 | 1.24 | .3 |
| 8.00 | 2.4 | | | 1345 | 125 | 1.66 | .5 |
| 10.0 | 3.0 | | | 858 | 79.8 | 2.07 | .6 |
| 12.0 | 3.6 | | | 596 | 55.4 | 2.49 | .7 |
| 14.0 | 4.2 | | | 438 | 40.7 | 2.90 | .8 |
| 16.0 | 4.8 | | | 335 | 31.2 | 3.32 | 1.0 |

PHOTOMETRIC DATA FOR 3000K 25°

| Mounting Height | | Cone of Light Tabulation | | LUX | Footcandles at Nadir | Diameter | |
|-----------------|--------|--------------------------|--|------|----------------------|----------|--------|
| Feet | Meters | | | | | Feet | Meters |
| 4.00 | 1.2 | | | 2109 | 196 | 0.890 | .2 |
| 6.00 | 1.8 | | | 935 | 86.9 | 1.33 | .4 |
| 8.00 | 2.4 | | | 526 | 48.9 | 1.78 | .5 |
| 10.0 | 3.0 | | | 336 | 31.3 | 2.22 | .6 |
| 12.0 | 3.6 | | | 233 | 21.7 | 2.67 | .8 |
| 14.0 | 4.2 | | | 172 | 16.0 | 3.11 | .9 |
| 16.0 | 4.8 | | | 131 | 12.2 | 3.56 | 1.0 |

PHOTOMETRIC DATA FOR 5500K 25°

| Mounting Height | | Cone of Light Tabulation | | LUX | Footcandles at Nadir | Diameter | |
|-----------------|--------|--------------------------|--|------|----------------------|----------|--------|
| Feet | Meters | | | | | Feet | Meters |
| 4.00 | 1.2 | | | 3713 | 345 | 0.875 | .2 |
| 6.00 | 1.8 | | | 1646 | 153 | 1.31 | .3 |
| 8.00 | 2.4 | | | 926 | 86.1 | 1.75 | .5 |
| 10.0 | 3.0 | | | 593 | 55.1 | 2.19 | .6 |
| 12.0 | 3.6 | | | 412 | 38.3 | 2.62 | .7 |
| 14.0 | 4.2 | | | 302 | 28.1 | 3.06 | .9 |
| 16.0 | 4.8 | | | 231 | 21.5 | 3.50 | 1.0 |