

Available for Braq, Miro and Pica Cube™ Fixtures

Track lighting is a standard item in the lighting design tool box. It is ideal for architectural, themed environment, low ceiling height, retail and museum applications where discrete, reconfigurable, low profile fixtures and a clean look are required. Rosco Track provides an incredible solution for architectural installations and for reconfigurable performance spaces. The DMX data allows dynamic control of lighting, color temperature (white light) or color mixing as desired.



Rosco Track takes track lighting to the next level by combining power and full speed DMX512 control in a single track, and track adapters allow you to integrate and control any Braq, Miro and Pica Cube™ fixture.

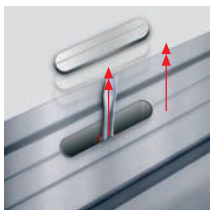
The specification grade surface mounted track system contains 5 conductors and includes 2 uniquely selectable power circuits. A 22 gauge nickel plated copper data bus provides full speed DMX512 control of lighting fixtures and provides control signal at any point along the track. The track consists of an extruded aluminum profile which can be easily cut to length on site. The track also has pre-punched holes at 8" spacing for mounting.

KEY FEATURES



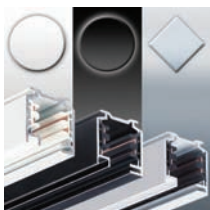
Easy to Cut on Site

Any given profile can be easily cut to length on site. It is not necessary to cut back or bend the copper wire.



Mounting Points

The 2 circuit track has pre-punched holes 1/4" (6mm) x 1" (25mm) for surface mounting. The holes are spaced 8" (203mm) on center and can be easily pushed out using a screwdriver.

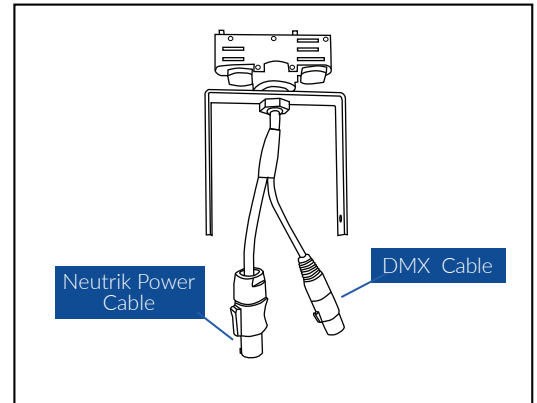


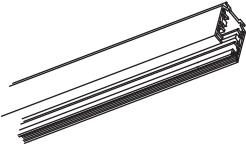
Colors and Finish

All system components and adapters are available in white or black standard colors. Silver color and custom colors are available upon request.

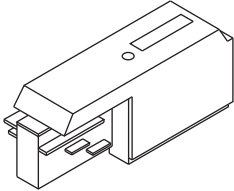
Surface Track with Data Bus Ordering Information

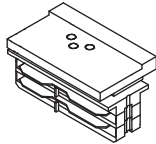
Track adapters for Miro or Braq Cube contain a 5-pin XLR connector and a Neutrik Powercon. Track adapters for Pica Cube contain a single Cat5 cable, providing both power and data to any Pica Cube fixture. Adapters are also available without data bus contacts to provide a means to utilize the 2nd circuit of the track without DMX control.

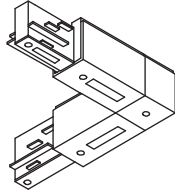


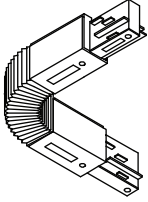
	Two Circuit Data Track		
		4'	8'
White	515911110401	515911110801	515911111201
Black	515911110402	515911110802	515911111202
Silver	515911110403	515911110803	515911111203

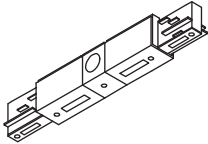
	Track Adapter with Power + DMX		
	Miro Cube®	Braq Cube®	Pica Cube™
White	515911100001	515911100009	515911100026
Black	515911100002	515911100008	515911100029
Silver	515911100003	Custom Order	Custom Order

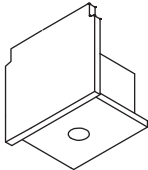
		Ground Right	
White	515911120001	White	515911130001
Black	515911120002	Black	515911130002
Silver	515911120003	Silver	515911130003

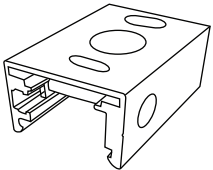
	
White	515911150001
Black	515911150002
Silver	515911150003

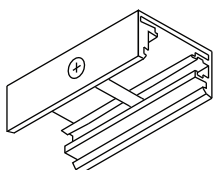
		Ground Right	
White	515911170001	White	515911180001
Black	515911170002	Black	515911180002
Silver	515911170003	Silver	515911180003

	
White	515911190001
Black	515911190002
Silver	515911190003

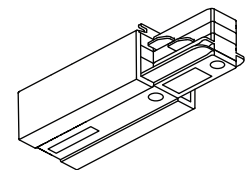
	
White	515911160001
Black	515911160002
Silver	515911160003

	
White	515911140001
Black	515911140002
Silver	515911140003


	
White	515911220001
Black	515911220002
Silver	515911220003



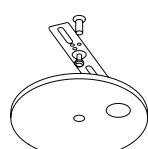
Pendant Clip	2"	4"
White	515911220001	515911210001
Black	515911220002	515911210002
Silver	515911220003	515911210003



Terminated End	Ground Left	Ground Right
White	515911300001	515911310001
Black	515911300002	515911310002
Silver	515911300003	515911310003



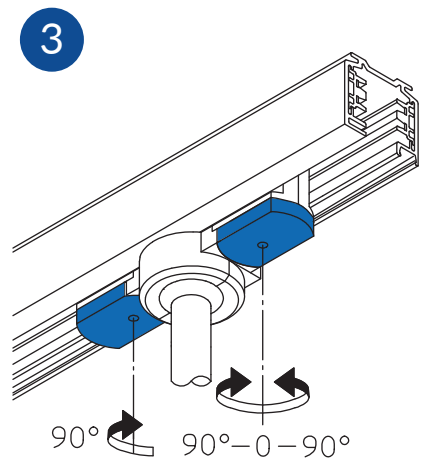
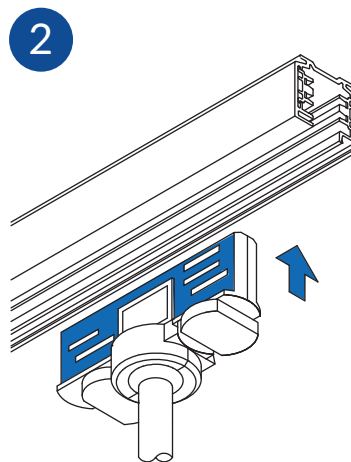
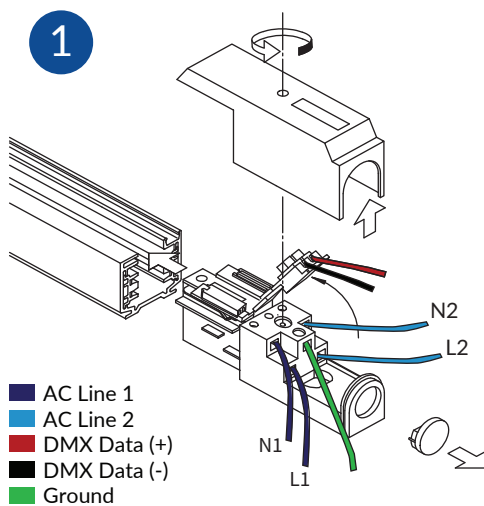
3/8" Pendant Stem 24" long	
White	515911230001
Black	515911230002
Silver	515911230003



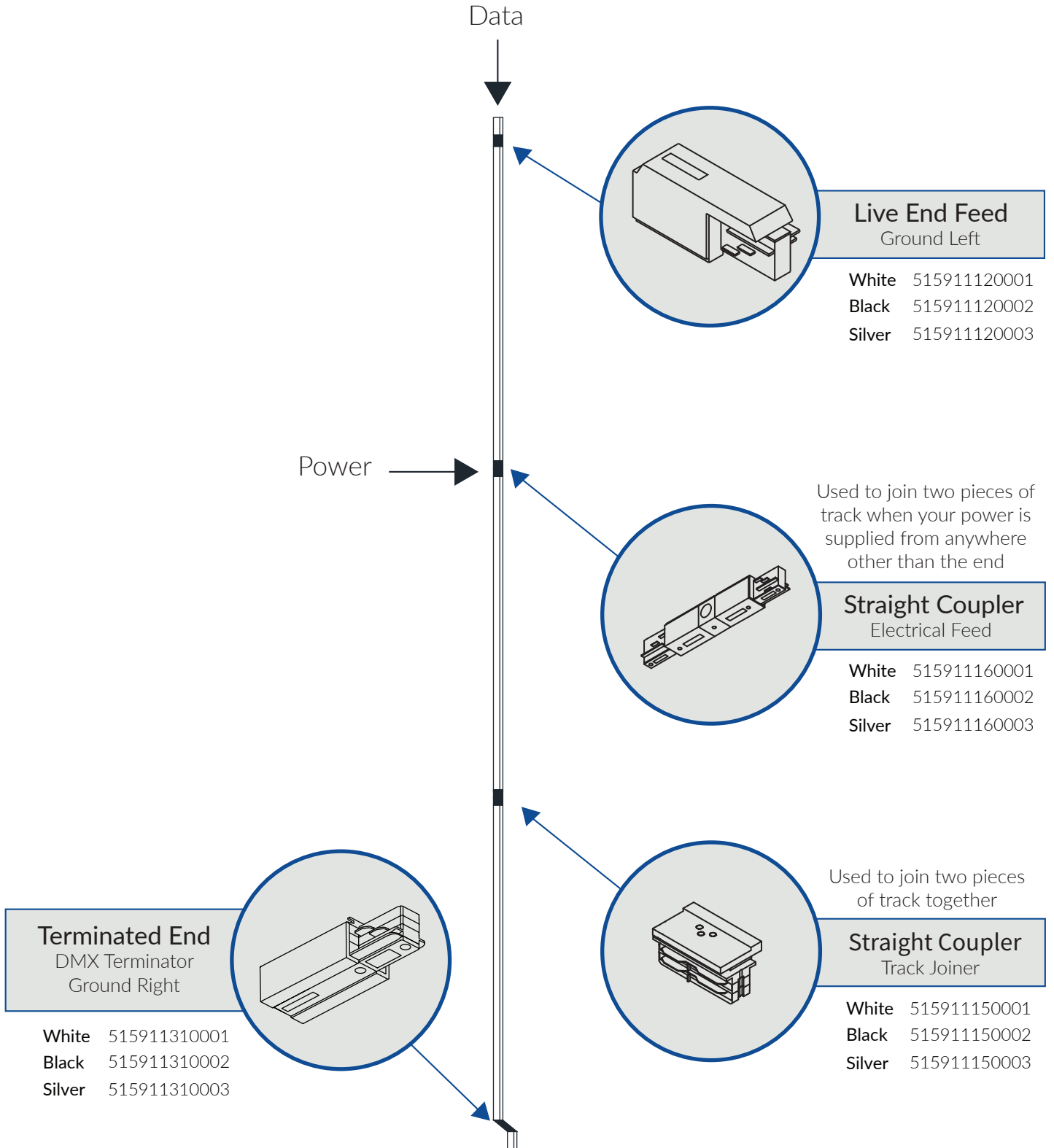
Canopy Feed Cover	
White	515911250001
Black	515911250002
Silver	515911250003

Installation Directions

- 1 Open live end feed and connect Line 1, Line 2 (Optional) and DMX data wires using terminal screws.
- 2 Insert head into the track ensuring data pins are in line with the data bus.
- 3 Rotate the levers to lock the head. Clockwise will select Line 1. Counter clockwise will select Line 2.



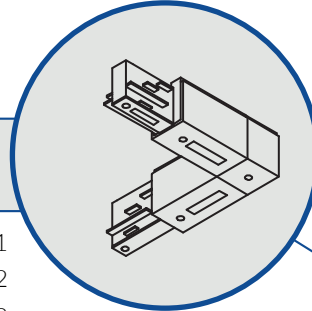
Straight Track Configuration



Square Track Configuration

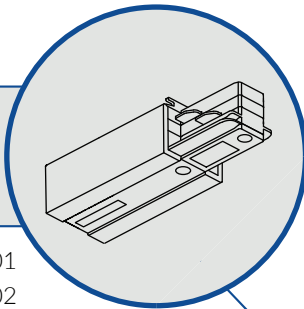
3x L-Coupler
Ground Left

- White 515911170001
- Black 515911170002
- Silver 515911170003



Terminated End
DMX Terminator
Ground Right

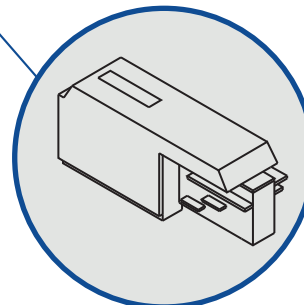
- White 515911310001
- Black 515911310002
- Silver 515911310003



Power/Data →

Live End Feed
Ground Left

- White 515911120001
- Black 515911120002
- Silver 515911120003



S Track Configuration

