

# Rosco Pole Mount Accessory



Attach your Rosco projectors to any pole, tree or upright support. The Pole Mount accessory has a special corrosion resistant E-Coating applied under the powder paint and inside the tube, making it the ideal mounting solution for harsh outdoor environments. The pan/tilt head extends 8" from the mounting pole and has adjustable 180-degree vertical tilt and 360-degree pan.



## KEY FEATURES

- 1-1/2" (37mm) diameter tubing provides room for power cord to maintain a clean look
- Superior rust resistant E-Coat inside tube and underneath the hard powder-coat paint
- Rust proof stainless steel hardware
- Use (3) Stainless steel bands with clamps for easy installation in a variety of locations
- Compatible with all X-Effects LED and Image Spot Projectors

## SPECIFICATIONS

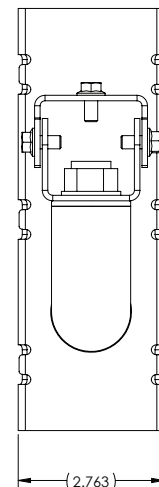
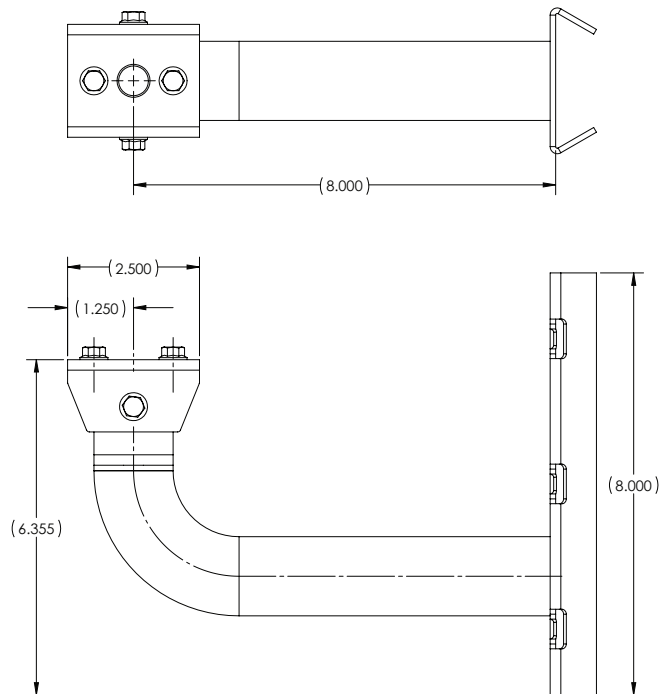
Application: Outdoor harsh environment or indoor Rosco Projector installations

Dimensions: 8.5" (216mm) overall length  
8" (203mm) from wall to mount head  
1.5" (37mm) diameter round tubing

Cable Entry: .5" (12.7mm) internal diameter cable pass

Material: Powder coated steel with E-Coat inside tube and under powder coating

Maximum Recommended Load: 80 lbs. (36.3kg)



Rosco Pole Mount Accessory	
Item Code	Description
296000005001	Rosco Pole Mount Accessory, Black
296000005002	Rosco Pole Mount Accessory, White
296000005003	3-pack 24" SS Strap Kit for Rosco Pole Mount